

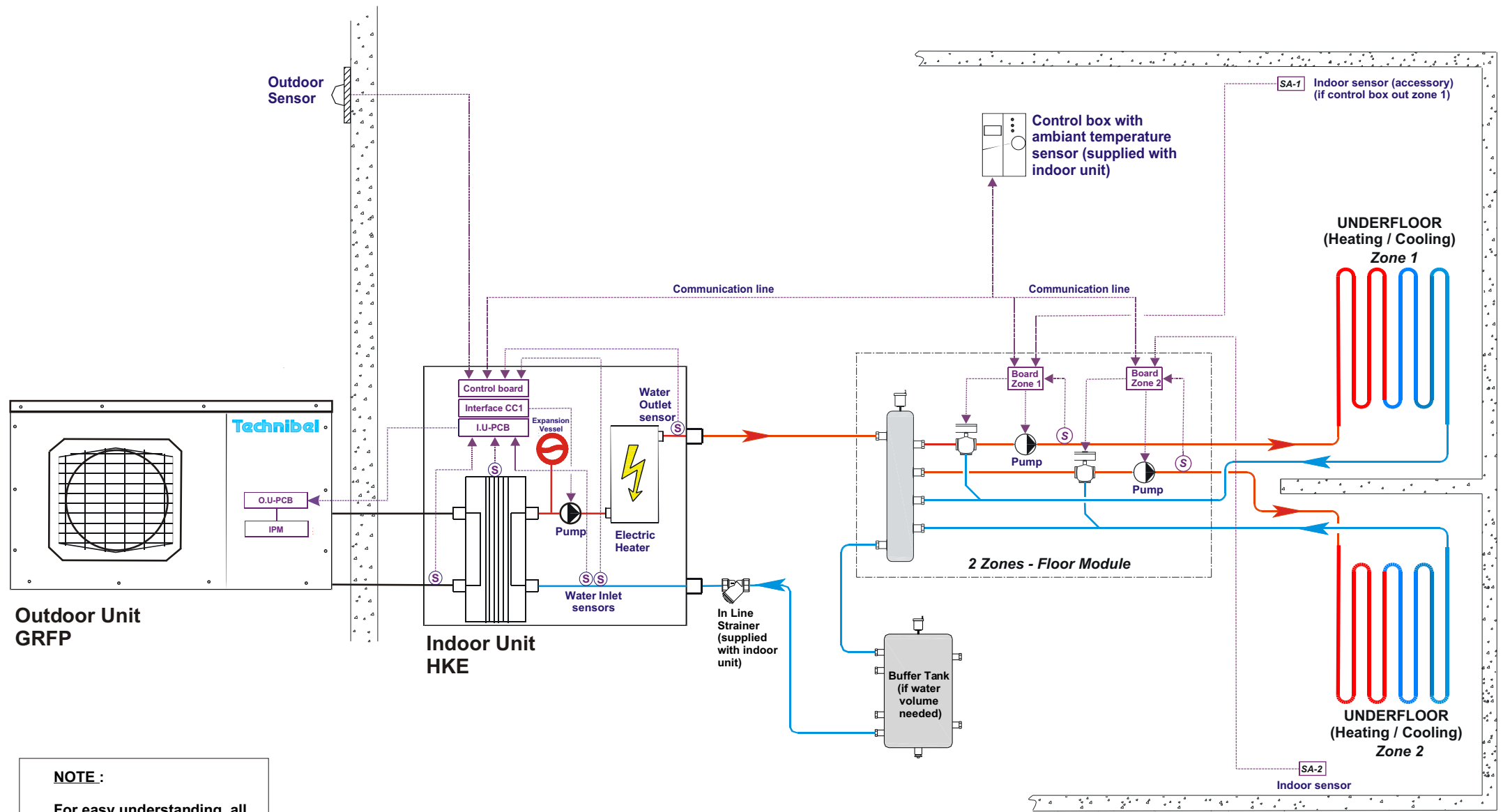
NOTE :

For easy understanding, all isolation valves are not indicated on this drawing.

See accessories table.

| REV | DATE | MODIFICATION | DRG by | 1097050G |
|-----|------------|--------------|--------|----------|
| 00 | 04/09/2009 | Creation | CP | |
| | | | | |
| | | | | |

| DRG by | DATE |
|--------|------------|
| CP | 04/09/2009 |
| CKD by | DATE |
| PB | 04/09/2009 |



NOTE :
 For easy understanding, all isolation valves are not indicated on this drawing.
 See accessories table.

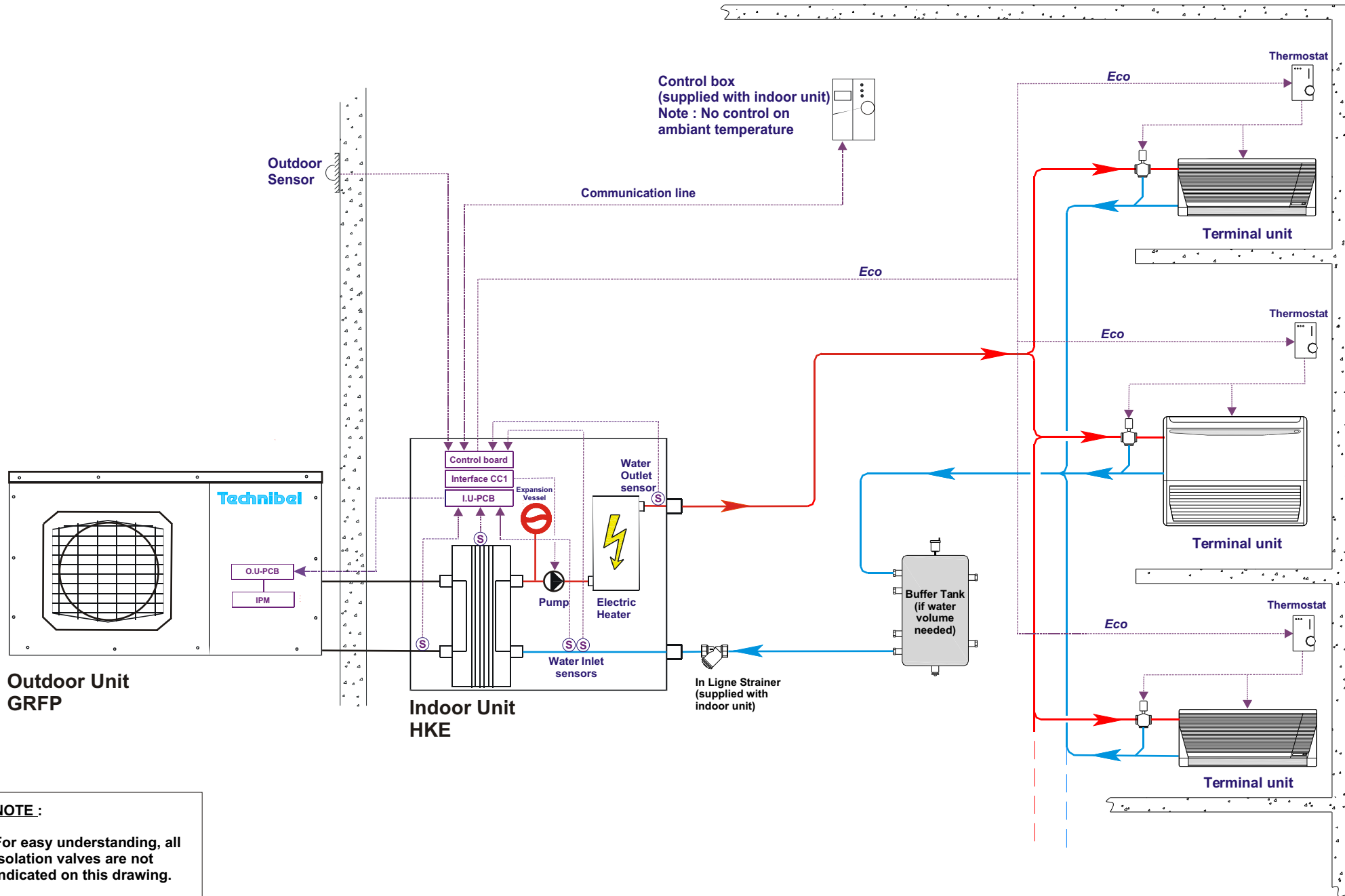


| REV | DATE | MODIFICATION | DRG by |
|-----|------------|--------------|--------|
| 00 | 04/09/2009 | Creation | CP |

1097051G

SPLIT INVERTER "PSHRIA"
(WITH ELECTRICAL SUPPORT INTEGRATED)
2 ZONES UNDERFLOOR HEATING / COOLING
(S > 150 m²)

| DRG by | DATE |
|--------|------------|
| CP | 04/09/2009 |
| CKD by | DATE |
| PB | 04/09/2009 |



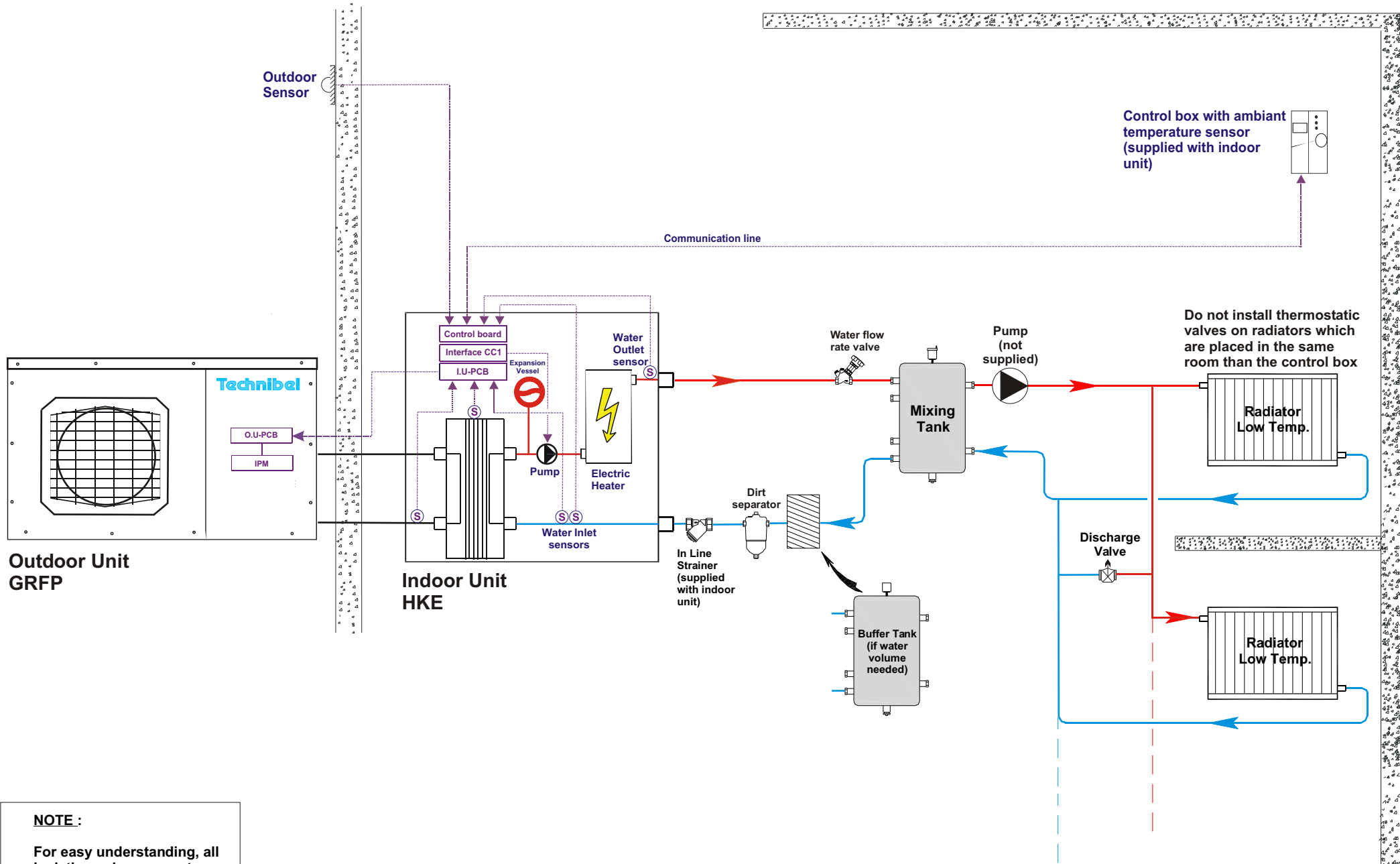
NOTE :
For easy understanding, all isolation valves are not indicated on this drawing.
See accessories table.



| REV | DATE | MODIFICATION | DRG by | |
|-----|------------|--------------|--------|-----------------|
| 00 | 04/09/2009 | Creation | CP | 1097052G |
| | | | | |

SPLIT INVERTER " PSHRIA "
(WITH ELECTRICAL SUPPORT INTEGRATED)
1 ZONE TERMINAL UNITS HEATING / COOLING

| DRG by | DATE |
|--------|------------|
| CP | 04/09/2009 |
| CKD by | DATE |
| PB | 04/09/2009 |



Control box with ambient temperature sensor (supplied with indoor unit)

Do not install thermostatic valves on radiators which are placed in the same room than the control box

Outdoor Unit GRFP

Indoor Unit HKE

Mixing Tank

Radiator Low Temp.

Radiator Low Temp.

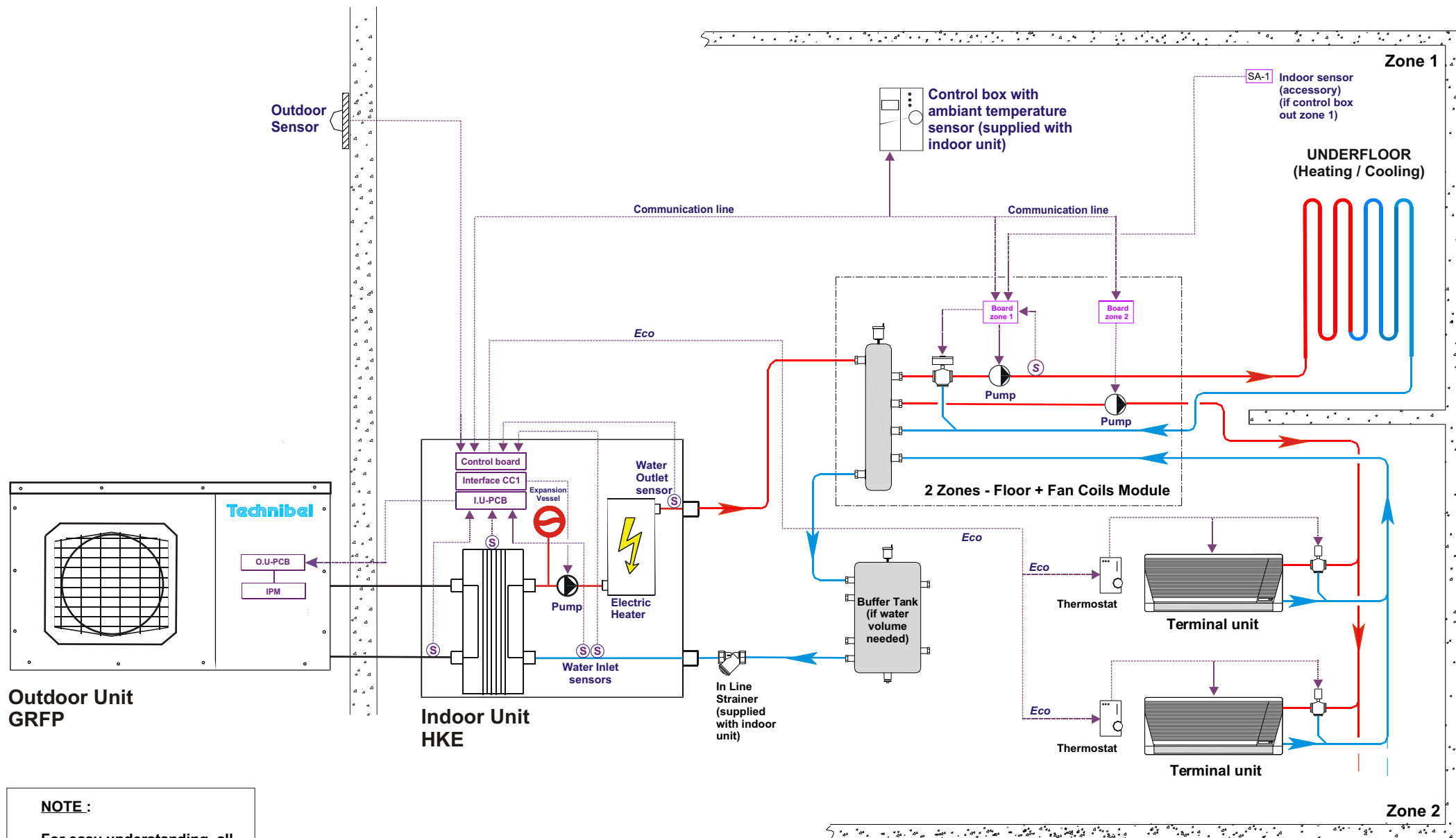
NOTE :
For easy understanding, all isolation valves are not indicated on this drawing.
See accessories table.



| REV | DATE | MODIFICATIONS | DRG by | |
|-----|------------|---------------|--------|----------|
| 00 | 04/09/2009 | Creation | CP | 1097053G |
| | | | | |
| | | | | |

SPLIT INVERTER " PSHRIA "
(WITH ELECTRICAL SUPPORT INTEGRATED)
1 ZONE RADIATORS LOW TEMPERATURE
(WITHOUT D.H.W PREPARATION)
HEATING ONLY

| DRG by | DATE |
|--------|------------|
| CP | 04/09/2009 |
| CKD by | DATE |
| PB | 04/09/2009 |



NOTE :

For easy understanding, all isolation valves are not indicated on this drawing.

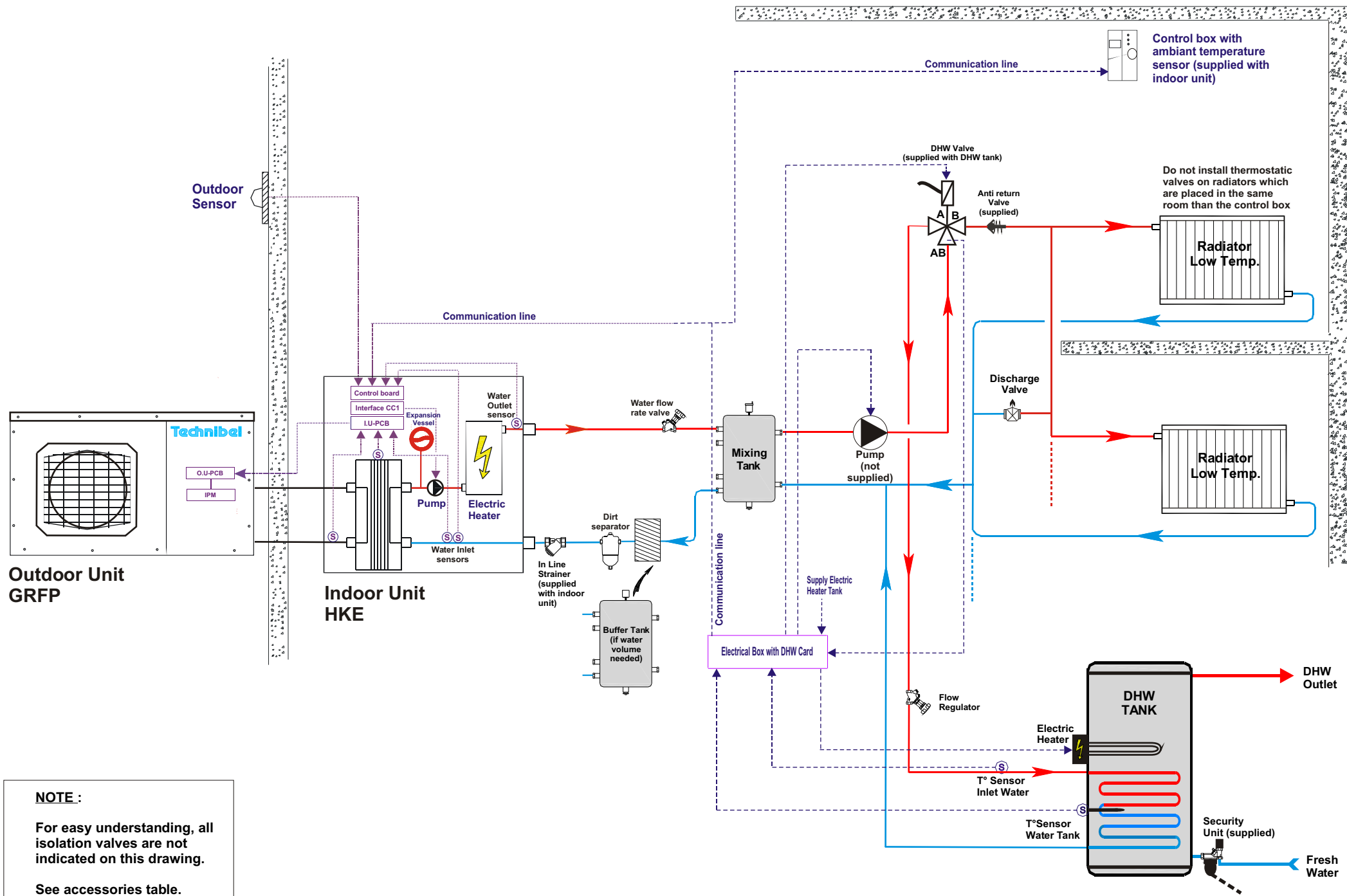
See accessories table.



| REV | DATE | MODIFICATION | DRG by | 1097054G |
|-----|------------|--------------|--------|----------|
| 00 | 04/09/2009 | Creation | CP | |
| | | | | |
| | | | | |

SPLIT INVERTER " PSHRIA "
(WITH ELECTRICAL SUPPORT INTEGRATED)
2 ZONES COMBINATION
UNDERFLOOR + TERMINAL UNITS
HEATING / COOLING

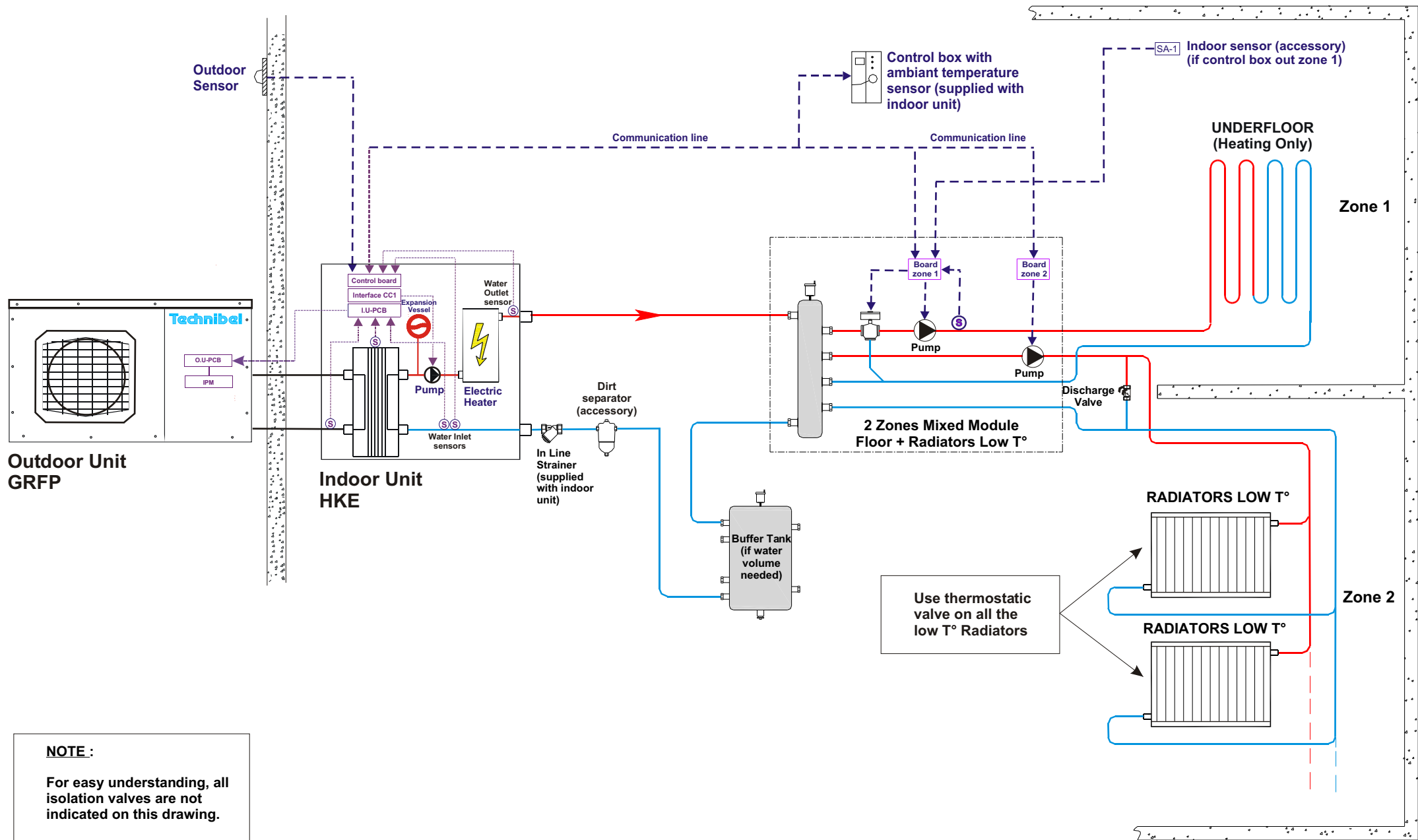
| DRG by | DATE |
|--------|------------|
| CP | 04/09/2009 |
| CKD by | DATE |
| PB | 04/09/2009 |



| REV | DATE | MODIFICATIONS | DRG by | |
|-----|------------|---------------|--------|-----------------|
| 00 | 04/09/2009 | Creation | CP | 1097055G |
| | | | | |

SPLIT INVERTER " PSHRIA "
(WITH ELECTRICAL SUPPORT INTEGRATED)
1 ZONE RADIATORS LOW TEMPERATURE
(WITH D.H.W PREPARATION)
HEATING ONLY

| DRG by | DATE |
|--------|------------|
| CP | 04/09/2009 |
| CKD by | DATE |
| PB | 04/09/2009 |



NOTE :

For easy understanding, all isolation valves are not indicated on this drawing.

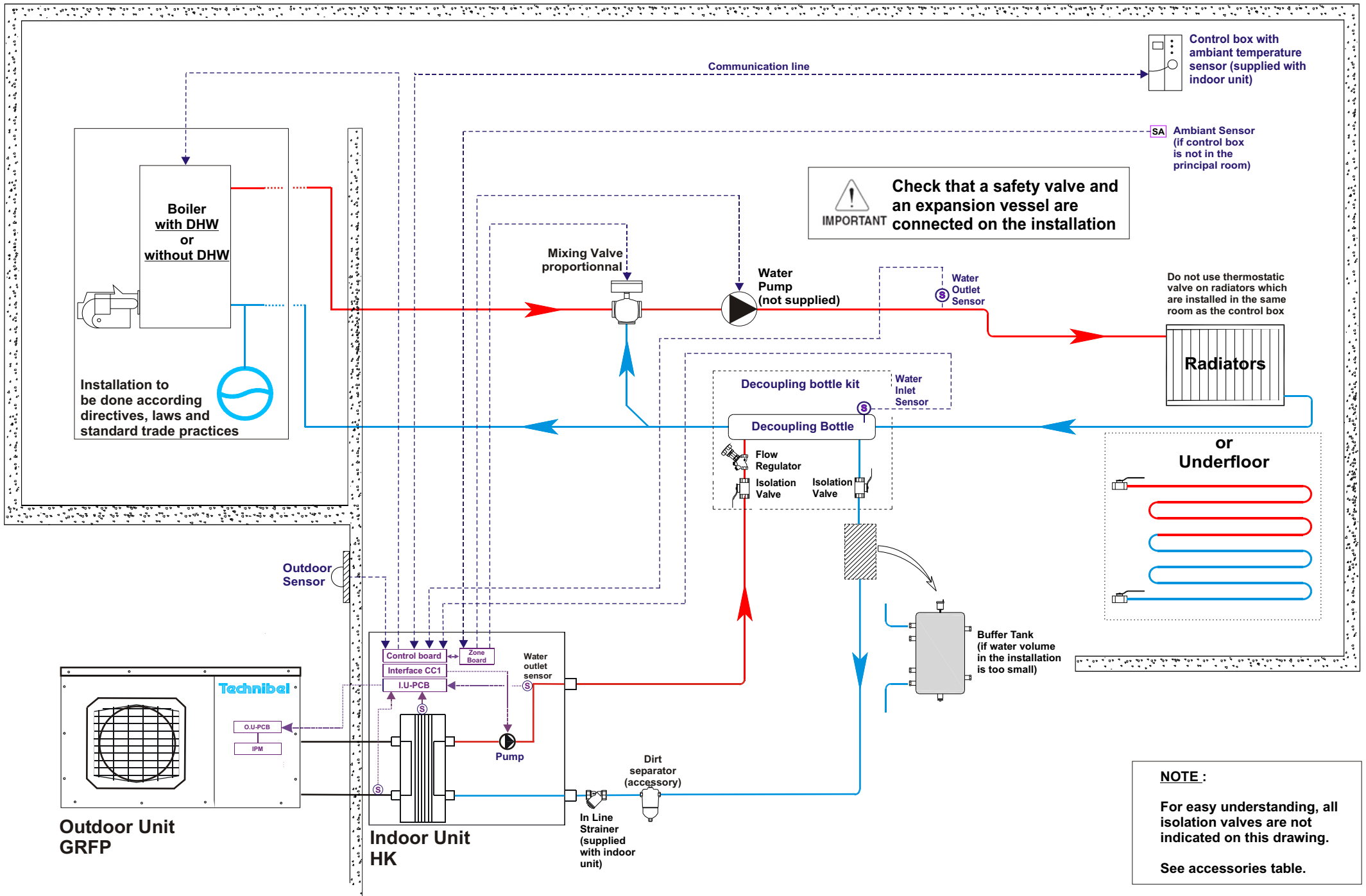
See accessories table.



| REV | DATE | MODIFICATIONS | DRG by | 1097056G |
|-----|------------|---------------|--------|----------|
| 00 | 04/09/2009 | Creation | CP | |
| | | | | |
| | | | | |

SPLIT INVERTER " PSHRIA "
(WITH ELECTRICAL SUPPORT INTEGRATED)
2 ZONES COMBINATION
UNDERFLOOR + RADIATORS LOW T°
HEATING ONLY

| | |
|--------|------------|
| DRG by | DATE |
| CP | 04/09/2009 |
| CKD by | DATE |
| PB | 04/09/2009 |



| REV | DATE | MODIFICATION | DRG by | 1097057G |
|-----|------------|--------------|--------|----------|
| 00 | 04/09/2009 | Creation | CP | |
| | | | | |
| | | | | |

| DRG by | DATE |
|--------|------------|
| CP | 04/09/2009 |
| CKD by | DATE |
| PB | |