

**NOTE :**

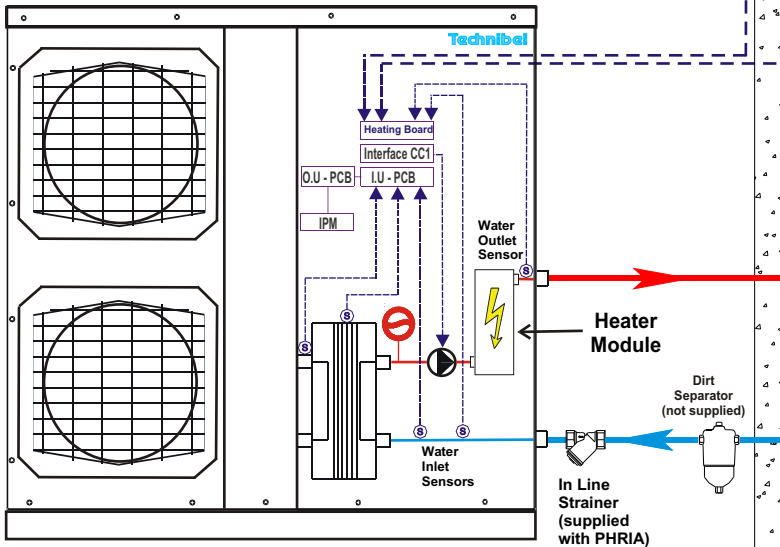
For easy understanding, all isolation valves are not indicated on this drawing.

See accessories table.

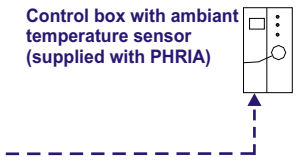
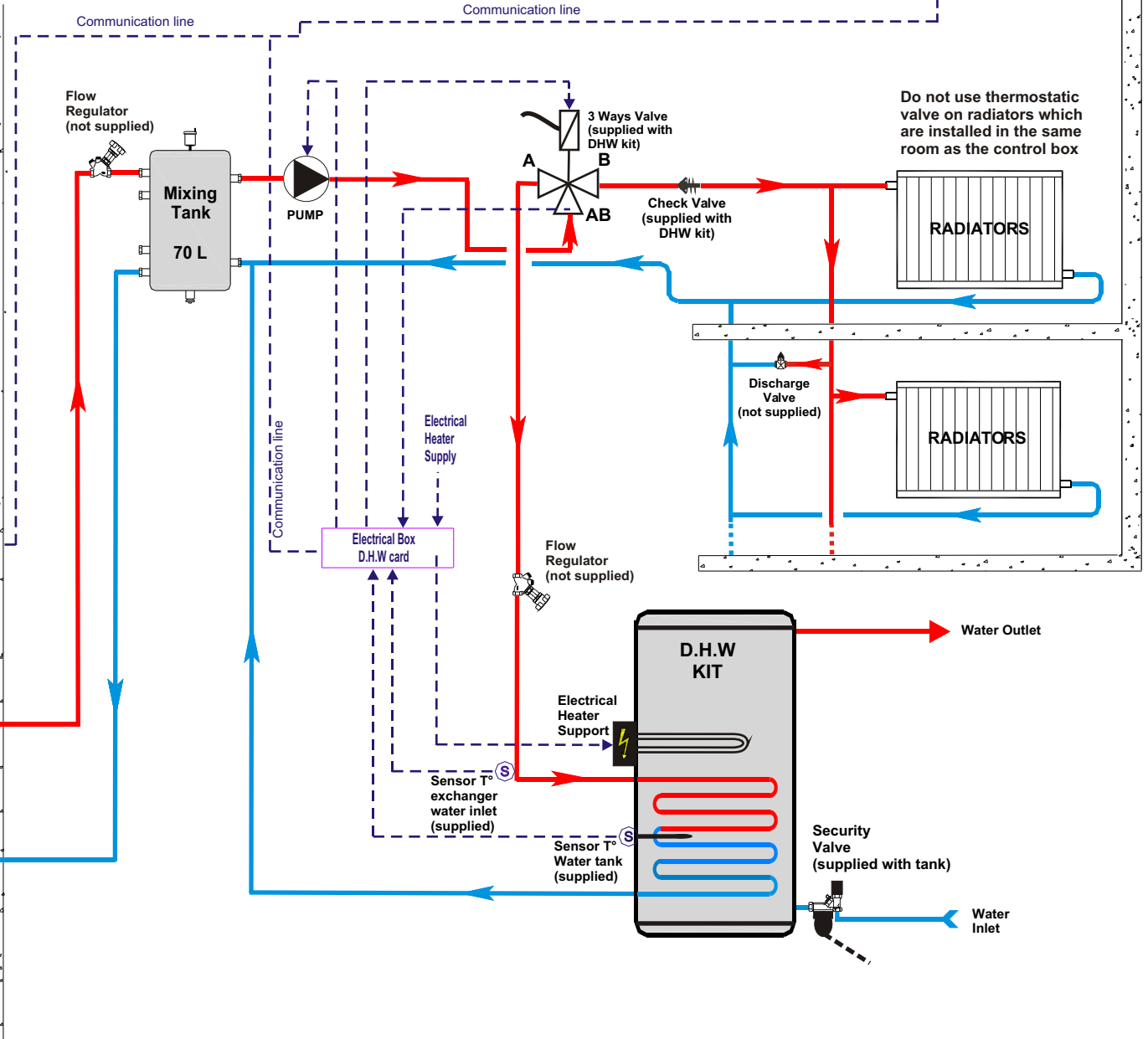
**Is supplied with DHW Kit :**

- \* DHW tank with electrical heater support 3 KW
- \* Electrical box regulation + 2 sensors
- \* 3 Ways valve for DHW preparation
- \* Safety valve 7 Bar
- \* Check valve

**Note :**  
DHW must be realised in conformity with normatives recommendations



**PHRIA**



Do not use thermostatic valve on radiators which are installed in the same room as the control box



REV	DATE	MODIFICATIONS	DRG by	
00	27/01/2010	Creation	CP	<b>1097049G</b>

**INVERTER AWHP  
WITH INTEGRATED ELECTRIC SUPPORT HEATER  
APPLICATION 1 ZONE RADIATORS LOW TEMP.  
+ DOMESTIC HOT WATER PREPARATION**

DRG by	DATE
CP	27/01/2010
CKD by	DATE